

**24 inch Freestanding Electric Stove with 3 cu. ft. Convection Oven**



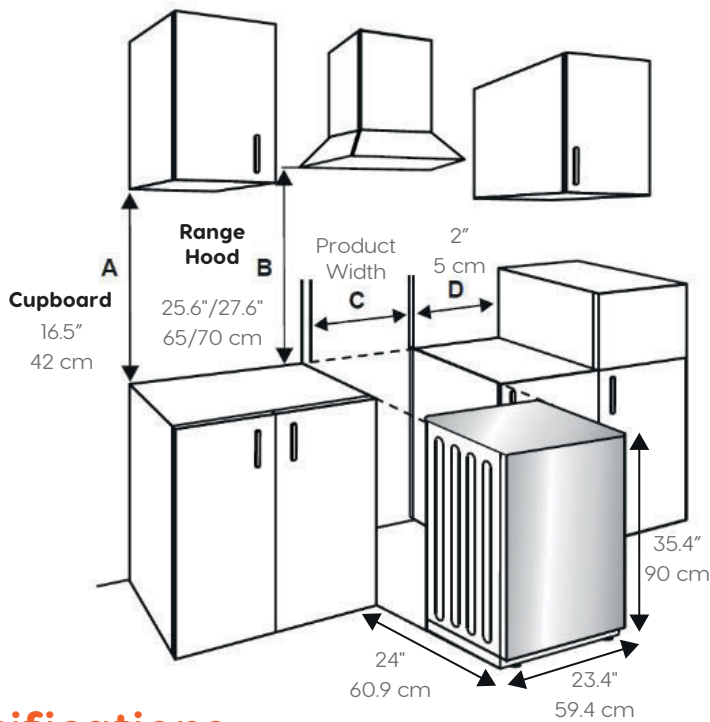
Complement your statement kitchen and save space with a compact, stylish and elegant 24" freestanding range that fits anywhere – a small apartment, rental unit, office, RV, cottage or vacation home. A rich finish in three sophisticated two-tone colors, the range comes with a smooth cooking surface, a convection oven with triple-lined glass door, 5 cooking functions and a 4 wheeled storage drawer. Also featured is a backsplash to protect your kitchen wall and an extra deep broiler pan that enables even cooking.

**AVAILABLE COLORS**



**Features and Benefits**

<b>Convection Oven</b>	Dry, even oven heat ideal for browning or broiling
<b>Triple lined door glass</b>	Less oven temperature fluctuation
<b>5 Cooking Functions</b>	Provides ultimate flexibility to Defrost, Bake, Convection Bake, Broil, and Convection Broil
<b>Pull Out Storage Drawer</b>	For easy access and storage of cooking utensils
<b>Backsplash</b>	To protect your kitchen walls
<b>Extra Deep Broiler Pan</b>	Cooks more evenly, with a perfect crust and easy to clean
<b>Interior Oven Lighting</b>	Allows for easy viewing of the cooking progress
<b>Different burner sizes</b>	Offers flexibility for various pots and pans
<b>Digital Timer and Clock</b>	For easy regulation of cooking times



**iio care**  
12-month  
protection  
coverage



## Specifications

PRODUCT DIMENSIONS	
Width	23.4" (59.4 cm) W
Depth	24" (60.9 cm) D
Height	35.4" (90 cm) H
Carton Packed Dimensions:	25 5/8 W x 27 3/8 D x 38 3/8 H (inch) 65.1 W x 69.6 D x 97.5 H (cm)
ELECTRICAL SPECIFICATIONS	
Voltage Rating	240 V
Frequency	60 Hz
Current (Min-Max by Model)	35 -39.6 A
OVEN FUNCTIONS	
Defrost	1100 W
Bake	2300 W
Convection Bake	2300 W + Fan
Broil	1400 W
Convection Broil	1400W + Fan
CONTROLS	
Digital Touch Timer	Yes
COOKTOP CONFIGURATIONS	
2 x 6", 2 x 8" Smooth Top	2 x 1200W, 2 x 2000W
COOKTOP	
Cooking Surface Type	Glass-ceramic
Indicator Light	Yes - for hot surface

PHYSICAL SPECIFICATIONS	
Gross Volume Capacity	3 Cu. Ft. (85.0 LT)
Net Volume Capacity	2.7 Cu. Ft. (76.5 LT)
Cooling Fan	Yes
Glass in Oven Door	3 (Triple Layered)
Back Splash	Yes
Oven Light	Yes
Roll-Out Storage Drawer	4 Wheel Guided
Chromed Oven Rack	2 pcs
Tray	Deep
Rack Type	Nickel Plated
Number of Rack Positions	6
Net weight* (approximately)	130.4 lb (59.13 kg)
Gross weight* (approximately)	142 lb (64.42 kg)
INSTALLATION	
Adjustable Leveling Legs	Yes (1.18 inch/3 cm)
Power Cord	Canada - Yes. USA -No.
ENERGY DATA	
Energy Consumption	438 kWh
CERTIFICATION	
ETL Certificate	Compliance code:"50257604"

Whatever space you have in your life, whether it's a first loft, townhome, Airbnb, cottage or dream house, we will help you find and fill it with truly personal home appliances that you'll love. Delightful design, smart technology, future-friendly efficiency... we'll help you create a place in the world that you're proud to show off, and where you can be you.

Specifications subject to change without notice.

© 2023 iio kitchen. All rights reserved.

ERI(ER-244) Specification Sheet 20231015V1

**iio**  
turn your space into your place

1-833-446-4461 [www.iioKitchen.com](http://www.iioKitchen.com)