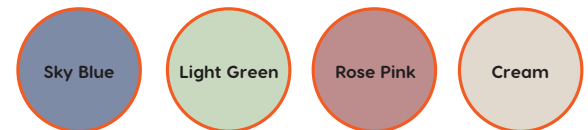


12 cu. ft. frost free Retro refrigerator with bottom freezer



This chic Retro, frost-free refrigerator is a no-compromise solution for any space, and a call back to the 50's. A rich finish in four stunning colors drapes one of the most iconic refrigerator styles available today. With specially designed chrome handles and accents, a large bottom freezer, bright LED lighting, and easily adjustable shelves all enable the smallest space to reflect your style. Throw in an adjustable wine rack and a deep crisper drawer and you have an ENERGY STAR certified masterpiece fit for you.

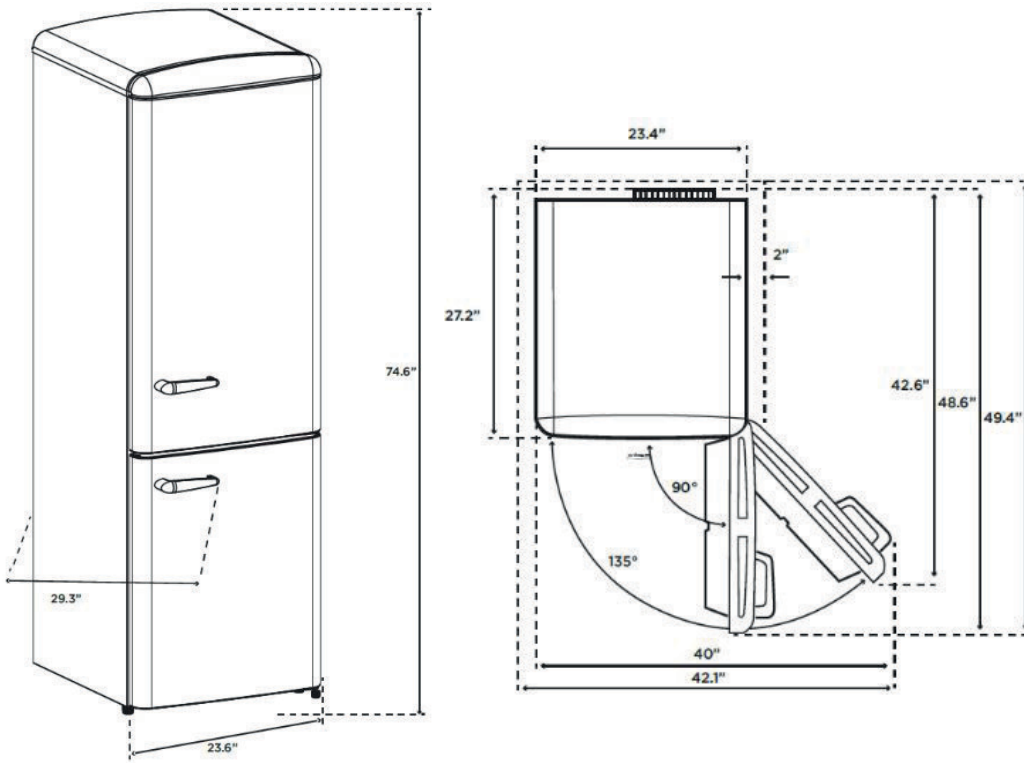
AVAILABLE COLORS



Features and Benefits

Frost Free	Prevents the accumulation of ice and frost to keep the power consumption low.
Stunning 50's Retro design	A great way to bring your memories into modern day living
Adjustable four-bottle wine rack	Keep those bottles cool all the time and ready to access easily
Multiflow 360° technology	12 individual air vents circulate cool air more efficiently keeping your food at the ideal temperature.
Bottom mount freezer	With 3 spacious rollout drawers, keep your frozen items really cold and easily accessible
Chrome metal retro handles	Brings elegance and style and engineered to last.
Three adjustable glass shelves	Flexible and perfect for quick reconfigurations to fit bottles, cans or tall foods, especially in the door.
Deep crisper drawer	For storing and easily accessing your fresh produce
Electronic control panel	Bright LED lighting, makes controlling your fridge easy
12 cu. ft. capacity	8.5 cu.ft. of cool fresh food drawers and shelves, plus 3.5 cu.ft. of frost-free freezer drawers.
ENERGY STAR certified	Energy efficiency saves money and protects the environment. (E-Star)
Alarms	Open door alarm notifies you when the door is left open

12 cu. ft. frost free Retro refrigerator with bottom freezer



iio care
24-month
protection
coverage



Most Efficient
2022
www.energystar.gov

Specifications

Dimensions W x D x H	W 23.6" (59.9cm) x D 29.3" (74.4cm) x H 74.6" (189.5cm)		
Net Weight	152 lbs / 69 kg	Noise Level	42 dB
Cooling System	Frost free	Compressor	Constant speed compressor
Control System	Digital Controls	Fan Assisted Cooling System	Yes
Inner Display Type	Digital	Refrigerant type	R600a (CFC Free)
Inner Illumination	LED	Glass Shelves	4 Adjustable safety glass
Total Net Volume	12 cubic feet (330 Litres)	Wine/Bottle Shelf	Yes
Fresh Food Net Volume	8.5 cubic feet	Door Shelves	3 Adjustable
Freezer Food Net Volume	3.5 cubic feet	Crispers	1
Power Supply	110 V / 60 HZ / 1.3 A	Freezer Drawers	3
Electrical Cord Length	7 feet (2.16m)	Adjustable Legs	2
Annual Energy Consumption	390 kWh/year	Alarms	Door opening alarm

Whatever space you have in your life, whether it's a first loft, townhome, Airbnb, cottage or dream house, we will help you find and fill it with truly personal home appliances that you'll love. Delightful design, smart technology, future-friendly efficiency... we'll help you create a place in the world that you're proud to show off, and where you can be you.

Specifications subject to change without notice.

© 2024 iio kitchen. All rights reserved

Updated October 22, 2024

RR2 (IRR2-2412) Specification Sheet 20230831V1

iio™
turn your space into your place

1-833-446-4461 www.iioKitchen.com